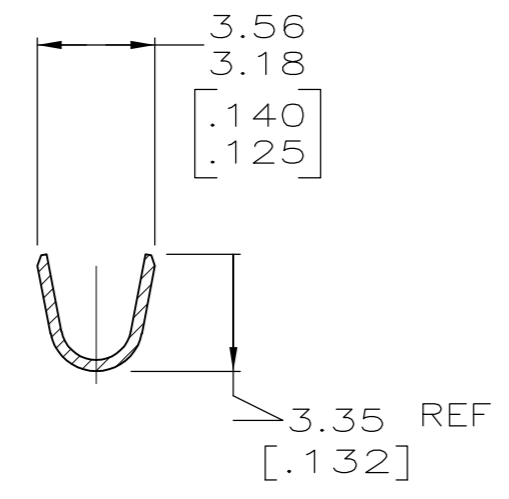
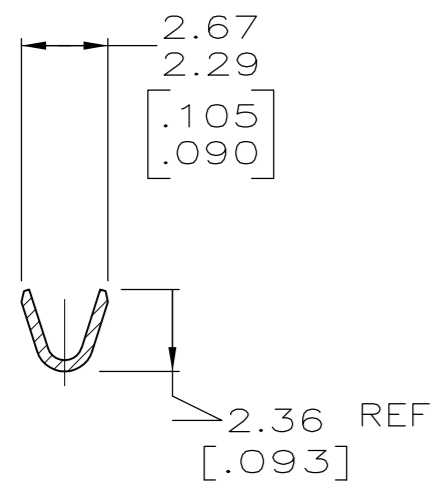
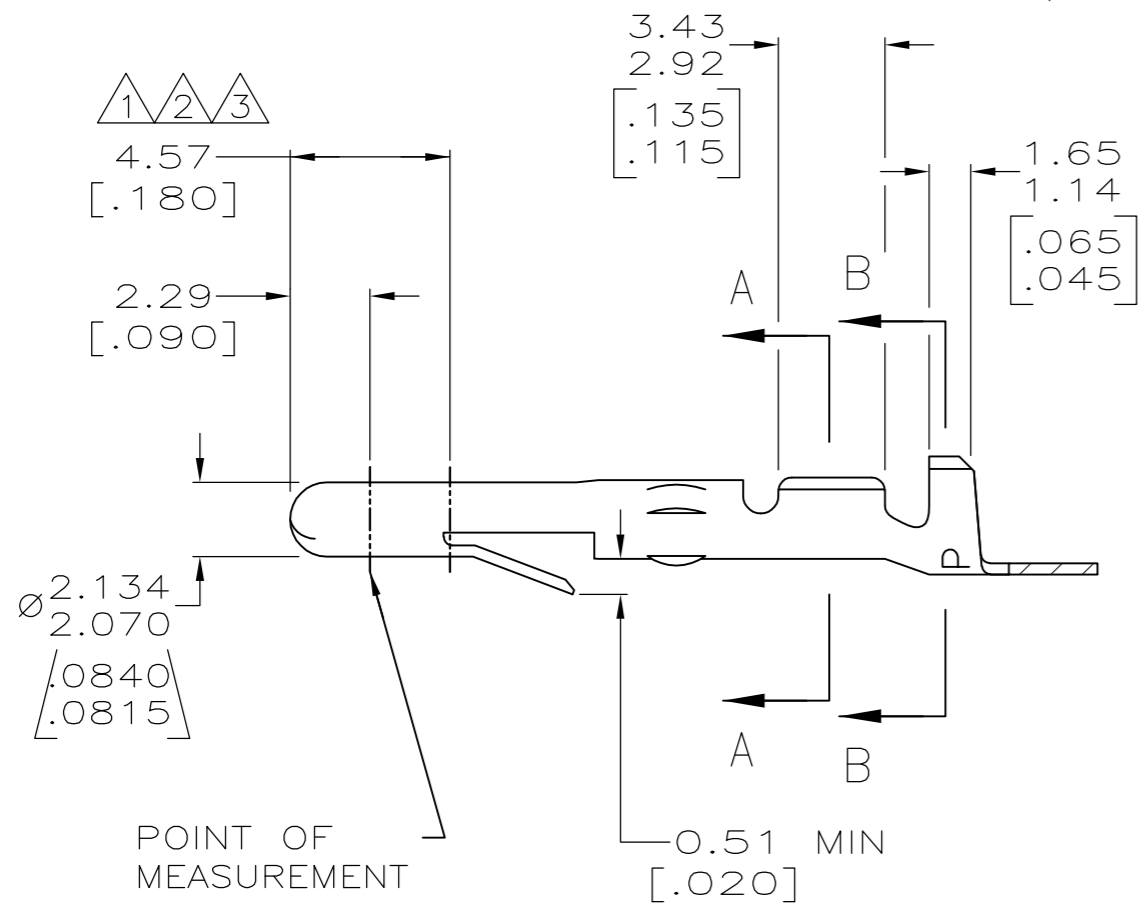
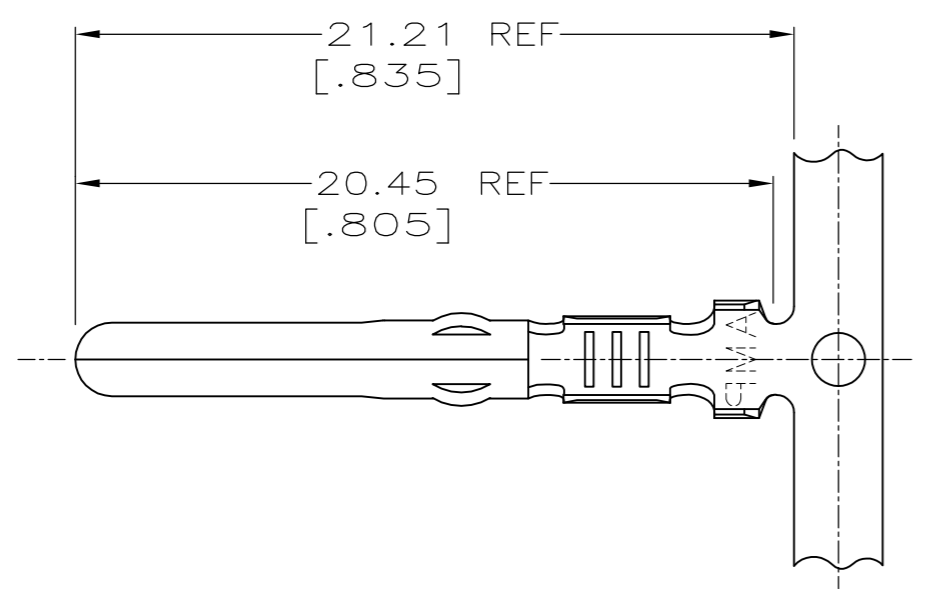


THIS DRAWING IS UNPUBLISHED. RELEASED FOR PUBLICATION  
 © COPYRIGHT - By - ALL RIGHTS RESERVED.

LOC	DIST	REVISIONS			
P	LTR	DESCRIPTION	DATE	OWN	APVD
CM	53	AG3	REVISED PER ECR 12-013810	24SEPT12	JR TM



- ① PLATE OVERALL WITH 0.00127 [.000050] MIN NICKEL, THEN TIP PLATE WITH 0.00076 [.000030] MIN GOLD IN THE MATING AREA.
- ② PLATE OVERALL WITH 0.00127 [.000050] MIN NICKEL, THEN PLATE IN THE MATING AREA AND STRIPE THE INSIDE OF THE WIRE BARREL WITH 0.00076 [.000030] MIN GOLD.
- ③ PLATE OVERALL WITH 0.00127 [.000050] MIN NICKEL, THEN FLASH ENTIRE TERMINAL WITH GOLD, THEN TIP PLATE WITH 0.00076 [.000030] MIN GOLD IN THE MATING AREA.
- 4. WIRE RANGE: 0.2 - 0.9 mm<sup>2</sup> [24 - 18 AWG] .
- 5. INSULATION RANGE: 2.54 [.100] MAX DIA.
- 6. APPLICATOR TYPE: MINI.
- 7. DIMENSIONS IN BRACKETS ARE IN INCHES.

FINISH	MATERIAL	PART NO
①	0.30 [.012] BRASS	61116-7
①	0.30 [.012] PH BRZ	61116-6
②	0.30 [.012] BRASS	61116-5
PRE-TIN	0.30 [.012] PH BRZ	61116-4
-	0.30 [.012] PH BRZ	61116-3
-	0.30 [.012] BRASS	61116-2
PRE-TIN	0.30 [.012] BRASS	61116-1



THIS DRAWING IS A CONTROLLED DOCUMENT.

DWN T.BECK 2-18-93	TE Connectivity NAME PIN, MATE-N-LOK™ SIZE CAGE CODE DRAWING NO A2 00779 C-61116	RESTRICTED TO
CHK R. SWING 2-18-93		-
APVD C. MARTIN 2-24-93		-
PRODUCT SPEC APPLICATION SPEC		-
MATERIAL SEE TABLE	WEIGHT -	SCALE 5:1 SHEET 1 of 1 REV AG3
CUSTOMER DRAWING		